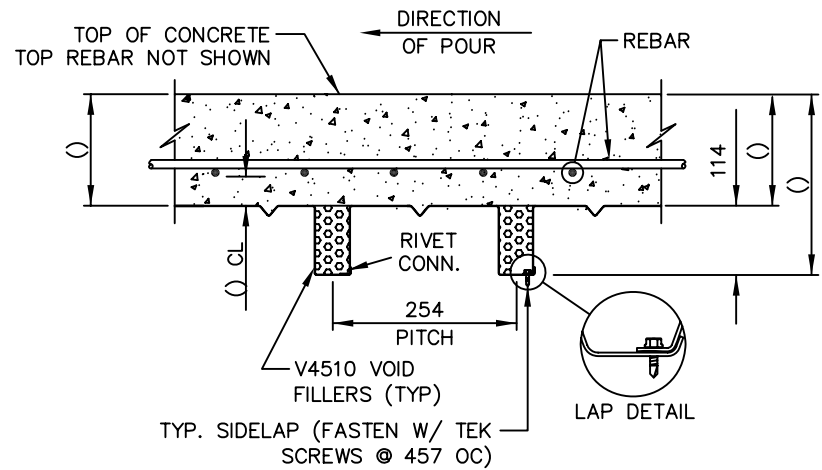
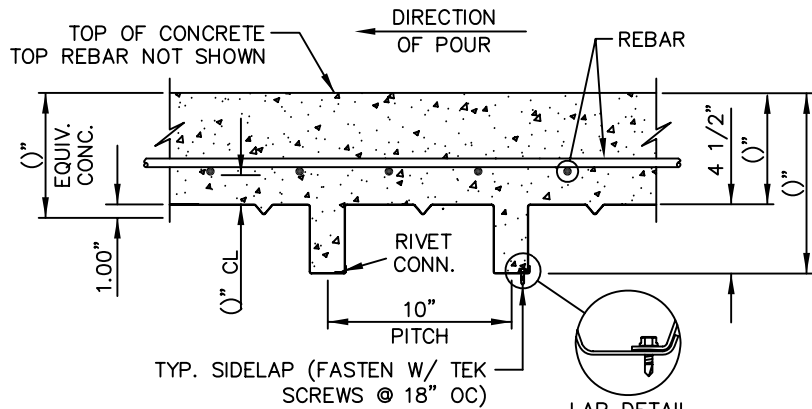


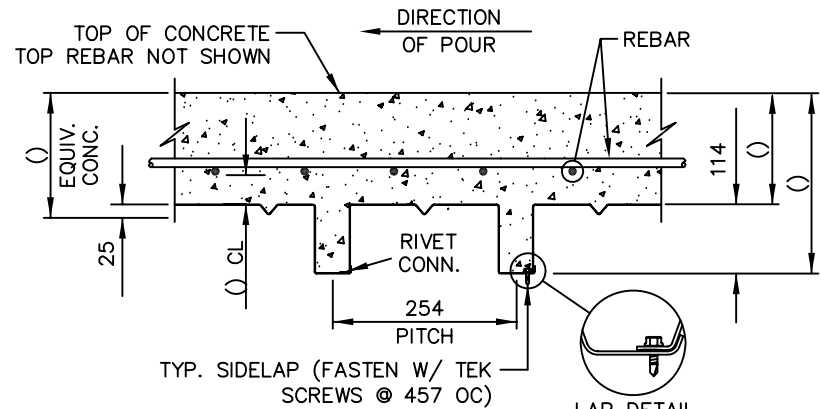
4 1/2" x 10" SLAB SECTION



114 x 254 SLAB SECTION



4 1/2" x 10" SLAB SECTION



114 x 254 SLAB SECTION

CUSTOMER	
DESCRIPTION	
PROJECT	
LOCATION	



CONSOLIDATED SYSTEMS INC. MEMPHIS, TN

4900 HUNGERFORD RD.
MEMPHIS, TN 38118
1-800-624-0925
FAX 901-375-9357



DRWN	CHKD	DATE
CSI JOB NO.		