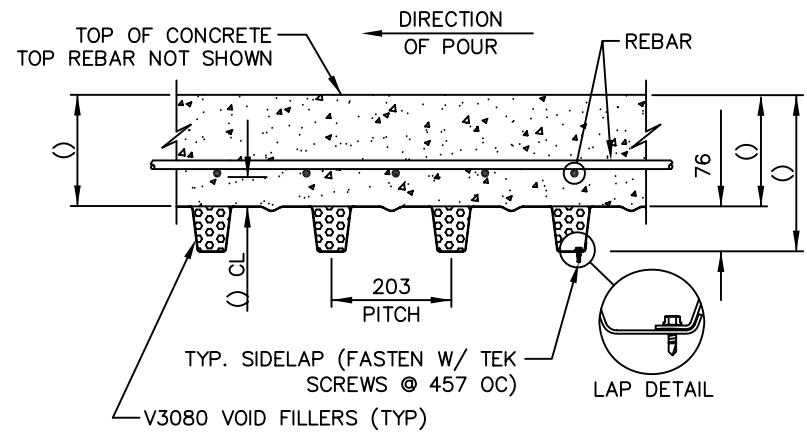
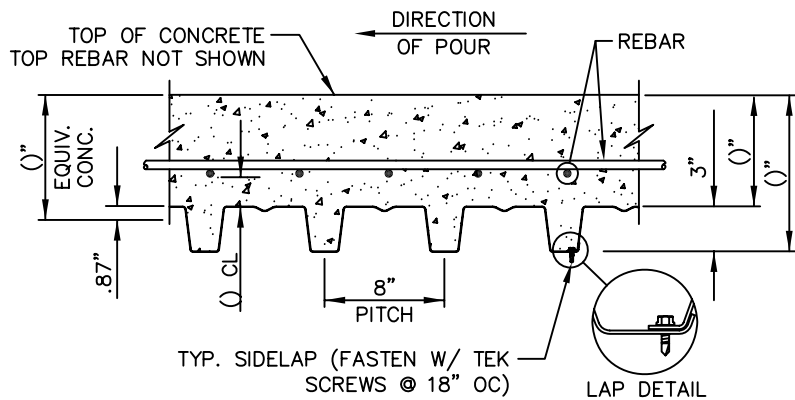


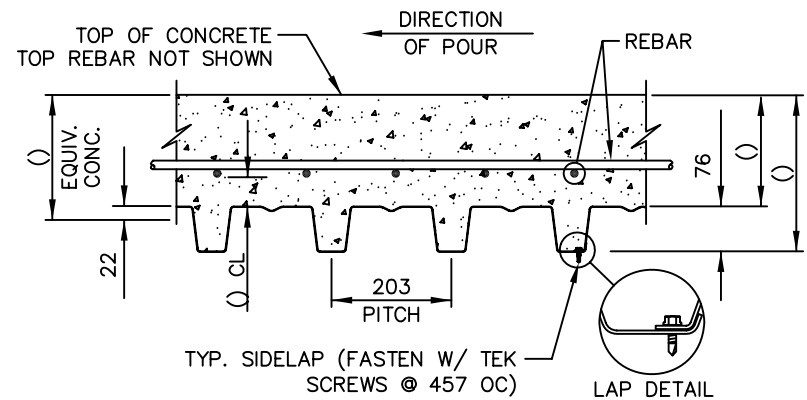
**3" x 8" SLAB SECTION**



**76 x 203 SLAB SECTION**



**3" x 8" SLAB SECTION**



**76 x 203 SLAB SECTION**

CUSTOMER	
DESCRIPTION	
PROJECT	
LOCATION	



**CONSOLIDATED SYSTEMS INC.** MEMPHIS, TN

4900 HUNGERFORD RD.  
MEMPHIS, TN 38118  
1-800-624-0925  
FAX 901-375-9357



DRWN	CHKD	DATE
CSI JOB NO.		