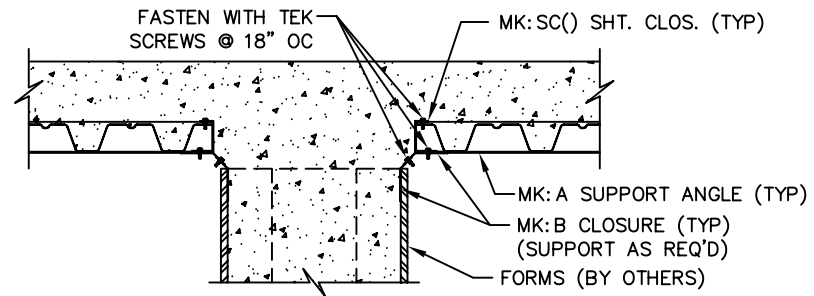
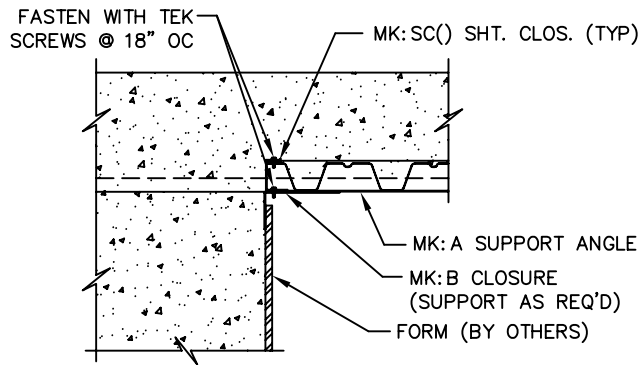


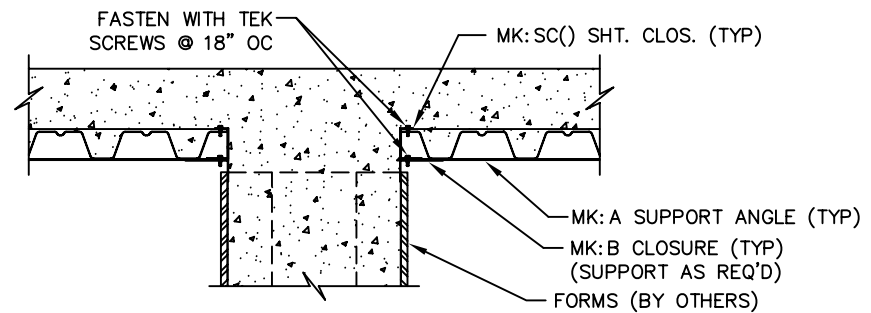
SECTION @ ABUTMENTS



SECTION @ INT. DIAPHRAGM



SECTION @ ABUTMENTS



SECTION @ INT. DIAPHRAGM

CUSTOMER	
DESCRIPTION	
PROJECT	
LOCATION	