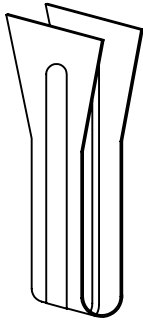
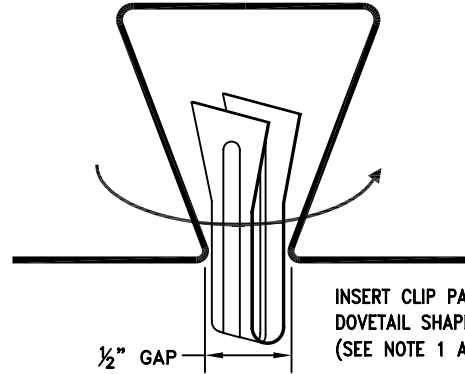


VERSA-WEDGE™ 2.0WH WIRE HANGER
MANUFACTURER'S RECOMMENDED INSTALLATION PROCEDURES
(FOR ROOF SLOPES < 5%)



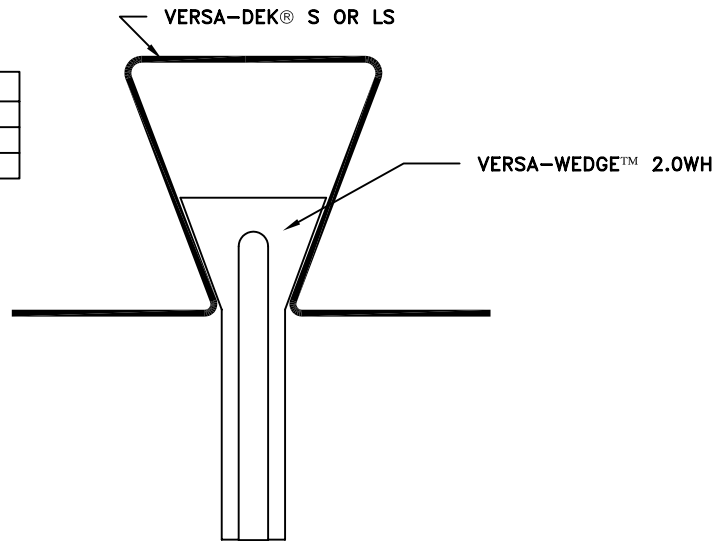
PART No.: WH-20



INSERT CLIP PARALLEL TO
DOVETAIL SHAPED RIB
(SEE NOTE 1 AND 2)

VERSA-WEDGE™ 2.0WH

50#	STATIC LOAD - 22 GAGE
50#	STATIC LOAD - 20 GAGE
100#	STATIC LOAD - 18 GAGE
100#	STATIC LOAD - 16 GAGE



NOTE TO PURCHASER: Provide a copy of these instructions to all field installation personnel.

INSTALLATION NOTES:

1. Install the standard hanger by inserting it up into the dovetail shaped rib, rotate hanger 90 degrees, and pull downward to seat the hanger. A 1/2" gap must be maintained.
2. Standard hanger assembly is designed for a vertical (only) static load. See load chart for maximum loads.
3. Minimum center-to-center spacing along dovetail rib shall not be less than 5 feet.
4. Avoid placement of hanger assemblies at the deck side laps.
5. Do not exceed the load carrying capacity of the Versa-Dek® Roof Deck.

The above suggested installation recommendations are to be followed so that the hanger assembly will remain in place and function as a means to support the applied vertical hanging load.

All suspended loads must be included in the analysis and calculations for stress and deflection. The designer (Engineer of Record) must take into account the sequence of loading and any seismic design considerations.