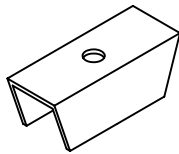


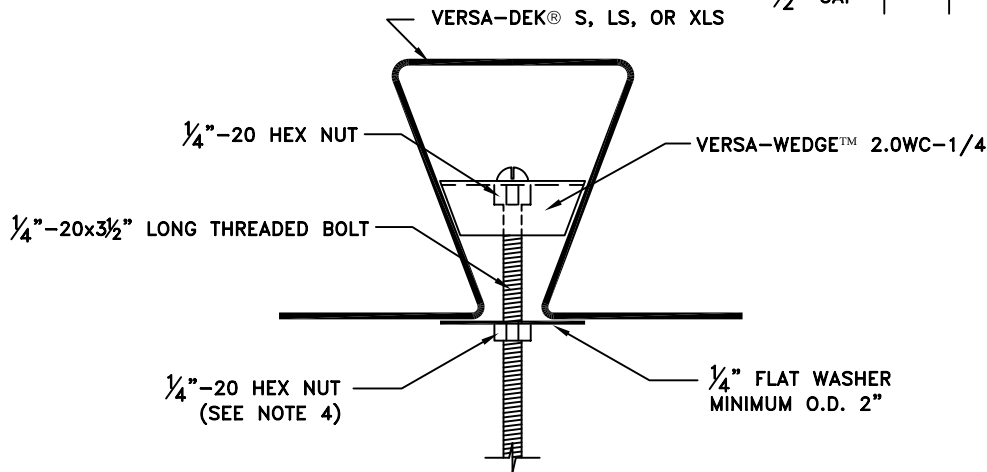
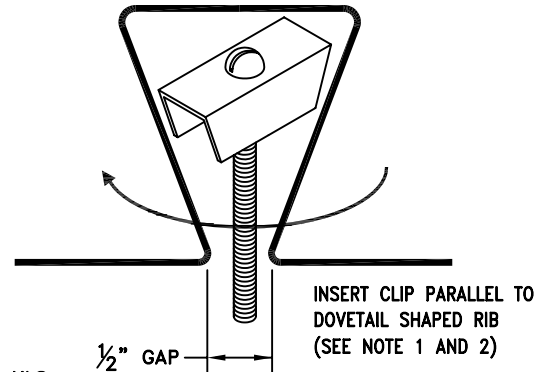
VERSA-WEDGE™ 2.0WC-1/4 HANGER CLIP
MANUFACTURER'S RECOMMENDED INSTALLATION PROCEDURES
(FOR FLOOR APPLICATIONS)



PART No.: VWC-20-250

VERSA-WEDGE™ 2.0WC-1/4

200#	STATIC LOAD - 22 GAGE
500#	STATIC LOAD - 20 GAGE
650#	STATIC LOAD - 18 GAGE
800#	STATIC LOAD - 16 GAGE



NOTE TO PURCHASER: Provide a copy of these instructions to all field installation personnel.
 The 1/4" threaded bolt, flat washer, and hex nuts, are NOT supplied by CSI.

INSTALLATION NOTES:

1. Insert threaded bolt into hanger clip and tighten bolt into place with hex nut as tight as possible.
2. Install the standard hanger clip by inserting it up into the dovetail shaped rib, rotate hanger clip 90 degrees, and pull downward to seat the hanger clip.
3. Install a 1/4" flat washer (minimum O.D. 2") and hex nut onto threaded bolt up to bottom of the dovetail shaped rib.
4. Tighten the hex nut "finger tight" to reseat the hanger clip and continue tightening hex nut with a wrench so that the threaded bolt is stationary and remains vertical. Avoid over tightening of the hex nut that may cause the dovetail rib opening to spread. A 1/2" gap must be maintained.
5. Standard hanger clip assembly is designed for a vertical (only) static load. See load chart for maximum loads.
6. Minimum center-to-center spacing along dovetail rib shall not be less than 5 feet.
7. Avoid placement of hanger clip assemblies at the deck side laps.
8. Do not exceed the load carrying capacity of the Versa-Dek® Floor Deck.
9. Once the load is applied to the hanger assembly, repeat step 4.

The above suggested installation recommendations are to be followed so that the hanger assembly will remain in place and function as a means to support the applied vertical hanging load.

All suspended loads must be included in the analysis and calculations for stress and deflection. The designer (Engineer of Record) must take into account the sequence of loading and any seismic design considerations.



PROJECT:	VWC-20-250 FLOOR DETAIL
TITLE:	VERSA-WEDGE™ 2.0WC-1/4 DETAIL

REV. DATE:	01/11/05
BY:	CDC
DWG. NO:	1 of 1